

## Phoenix 20 Floor Scrubber Disc Traction Drive



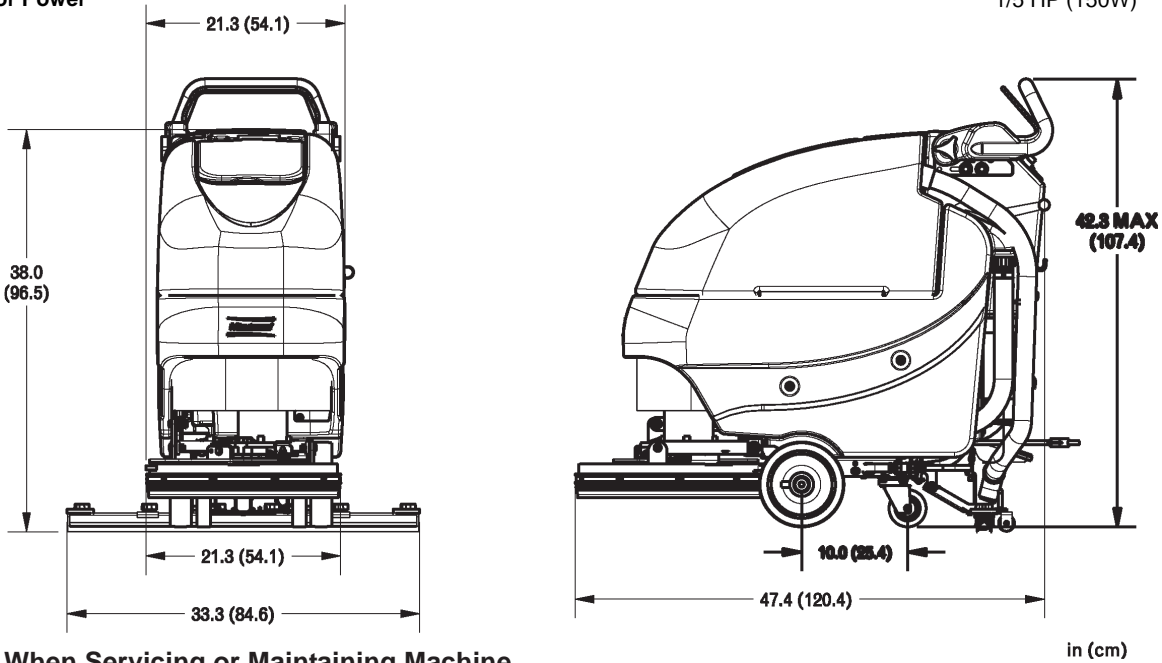
# Technical Specifications

Model *Phoenix 20 Traction Drive*

Model No. 3336075QP / PHX20TD / PHX20TDQP / PHX20TDQPG



<b>Current (Max)</b>	40 amps
<b>Battery Capacity (Lead Acid)</b>	140Ah @20 hr
<b>Battery Capacity (Gel)</b>	95Ah @20 hr
<b>Sound Level</b>	69 dBA
<b>Cleaning path width</b>	20 in (51 cm)
<b>Squeegee width</b>	34 in (86 cm)
<b>Productivity (Traction Drive)</b>	27,200 ft <sup>2</sup> /hr ( 2,527 m <sup>2</sup> )
<b>Working speed (Traction Drive)</b>	3.1 mph (5 km per hr)
<b>Rated voltage</b>	24 volts
<b>Vacuum flow</b>	65 cfm (110 m3/hr)
<b>Vacuum waterlift</b>	45 inches ( 112mbar)
<b>Vacuum power</b>	.60 HP (450 W)
<b>Brush type</b>	Disc
<b>Brush motor(s) power</b>	3/4 HP (560W)
<b>Number of brushes</b>	1
<b>Brush RPM</b>	180 RPM
<b>Aqua-Stop equipped</b>	Coming Soon
<b>Solution capacity</b>	12 Gal (45 liters)
<b>Recovery capacity</b>	13 Gal (49 liters)
<b>Working Grade</b>	2%
<b>Weight with batteries</b>	372 lbs (169 kg)
<b>Weight without batteries</b>	238 lbs (108 kg)
<b>Dimensions (LxWxH)</b>	47.4 x 21.3 x 42.3 (120.4 x 54.1 107.4 cm)
<b>Drive Motor Power</b>	1/5 HP (150W)



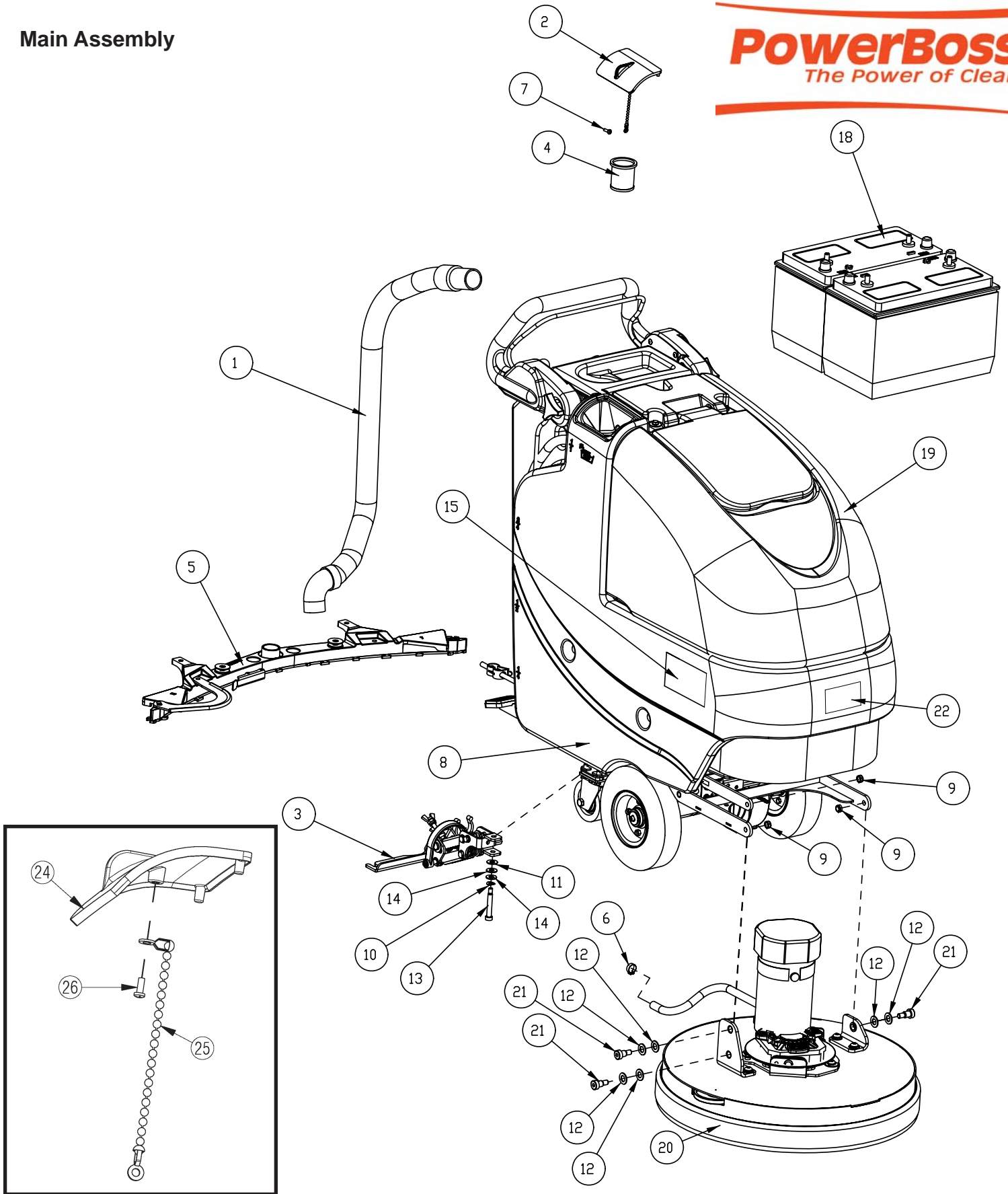
### For Safety When Servicing or Maintaining Machine

- Stop on level surface.
- Disconnect the power to the machine by pulling the red Battery Connector located under the recovery tank near the batteries.
- Avoid moving parts. Do not wear loose jackets, shirts, or sleeves when working on machine.
- Avoid contact with battery acid. Battery acid can cause burns. When working on or around batteries, wear protective clothing and safety glasses. Remove metal jewelry. Do not lay tools or metal objects on top of batteries.
- Do not clean machine with a pressure washer.
- Authorized personnel must perform repairs and maintenance. Use PowerBoss supplied replacement parts.

## Table of Contents

Main Assembly .....	1
Main Assembly BOM .....	2
Traction Drive Base Assembly .....	3
Traction Drive Base Assembly BOM .....	4
Base Assembly .....	5
Chassis Assembly .....	6
Chassis Assembly BOM .....	7
Solenoid Assembly .....	8
Solution Valve Assembly .....	8
Solution Tank Assembly .....	9
Lift Pedal Stop Assembly .....	10
Recovery Tank Assembly .....	11
Recovery Tank Assembly BOM .....	12
Handle Assembly .....	13
Battery Tray Assembly .....	14
Electrical Box Assembly .....	15
Electrical Box Assembly BOM .....	16
Electrical Box Cover Assembly .....	17
Vac Motor Assembly .....	18
20" Brush Deck Assembly .....	19
20" Brush Deck Assembly BOM .....	20
Brush Hub Assembly .....	21
Rear Squeegee Assembly .....	22
Tension Band Sub-Assembly .....	23
Squeegee Mechanism Assembly .....	24
WARRANTY .....	25

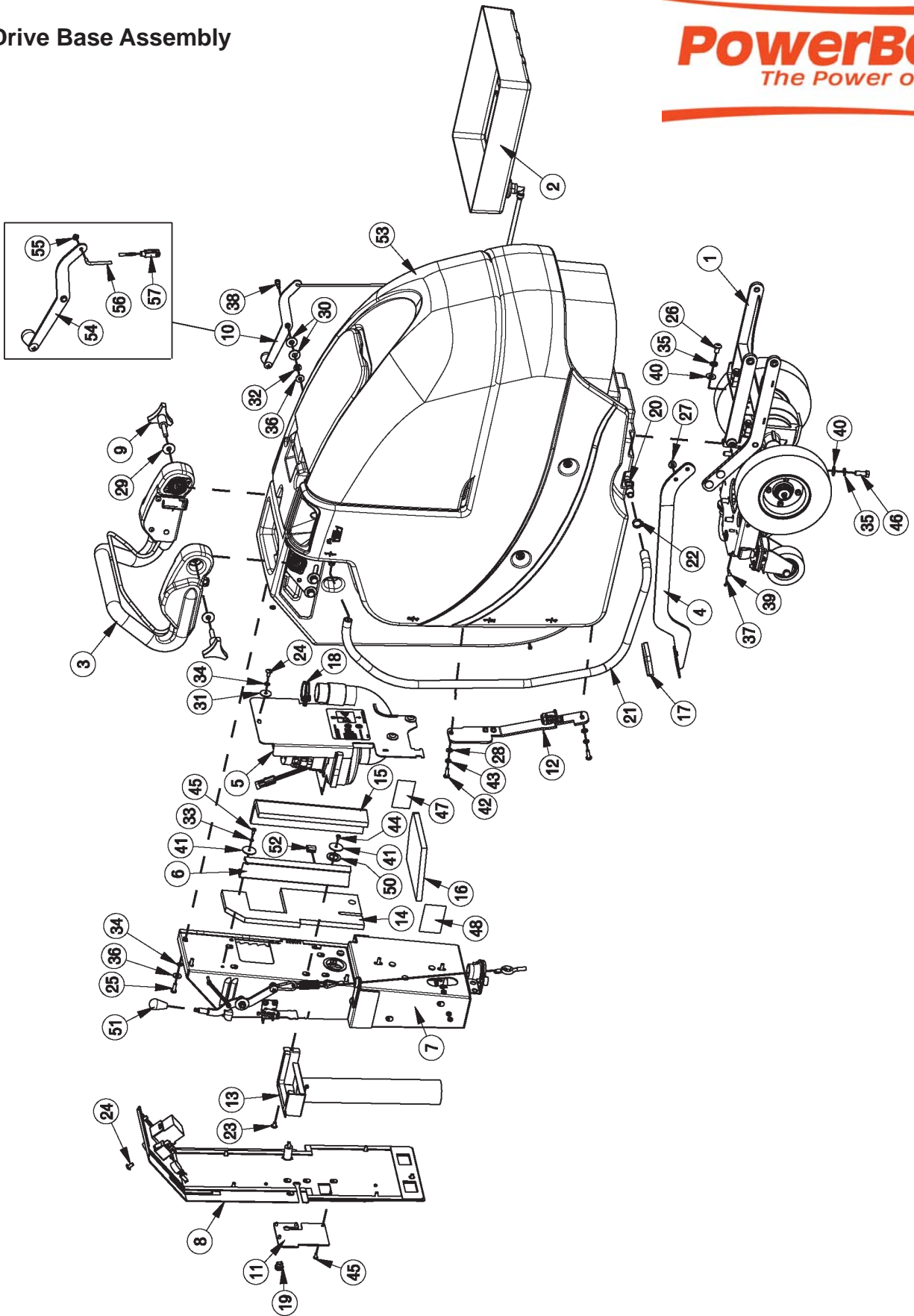
# Main Assembly





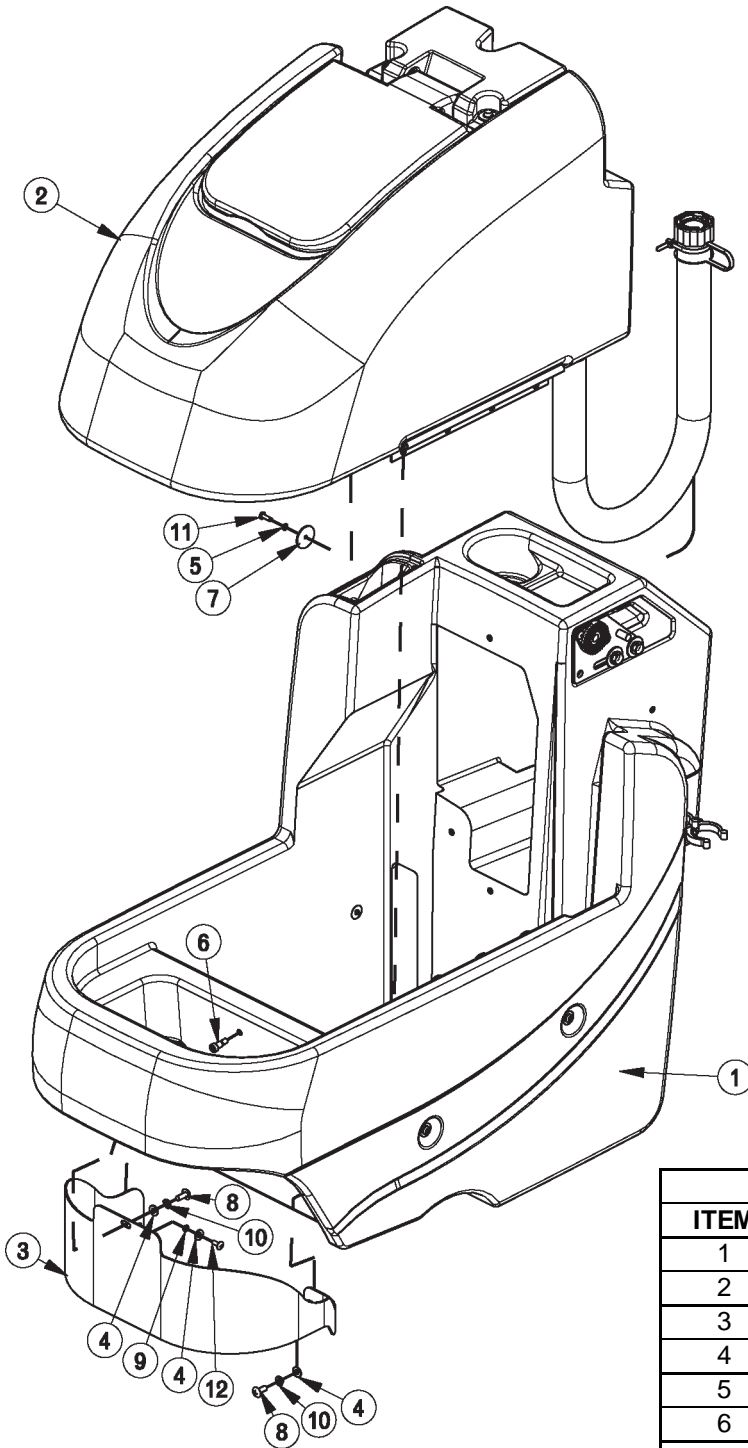
BILL OF MATERIAL - PHX20TDQP				
ITEM	PART NO.	REQ'D	DESCRIPTION	NOTES
1	172010	1	HOSE, CLEAR VAC W/ 45 CUFF	
2	172018	1	SOLUTION TANK LID ASSY	
3	172150	1	SQUEEGEE LIFT MECH ASSY	
4	172159	1	FILTER, FILL PORT, ES1720	
5	172534	1	SQUEEGEE, 34" (860)	
6	450076	1	CLAMP-CRIMP 185R SS	
7	711118	1	SCR-ST-A 10 X .75 SS	
8	711374	1	NUT-NYLOC 5/16-18	
9	711375	3	NUT-NYLOC 3/8-16 X 1/2 NUT	
10	711523	1	WSR-WAVE .37X .68 X .08	
11	711569	1	WSR-FLT .390 X .880 X .062 NYL	
12	711592	6	WSR-FLAT .506 X .9 X .064 NYL	
13	712143	1	BLT-SHLD 3/8 X 2.0, 5/16-18	
14	712301	2	WSR-FLAT .37 X .87 X .06	
15	715688	2	DECAL, PHOENIX	NOT SHOWN
16	740164-1	1	JUMPER CABLE ASSY, RED 4G 12"	NOT SHOWN
17	747649	1	CABLE ASSY, BATTERY E17	NOT SHOWN
18	956140	2	BATTERY, 12V 140AH	
18G	956100	2	GEL BATTERY 12V 95AH	
19	172001TD-120	1	TRAC DRV BASE ASSY-120V CHARGER	
20	172100TD	1	TD BRUSH DECK ASSY 20"	
21	712099PLT	3	BLT- SHLDR 1/2 X 1/2 ZINC PLT	
22	3334902	1	DECAL, POWERBOSS	NOT SHOWN
23	172520-3	1	20" BRUSH, NYLOGRIT 80GR	NOT SHOWN
24	172008	1	SOLUTION TANK LID	
25	172123	1	CHAIN, BEADED SS W/ EYELETS	
26	712145	1	SCR-PAN HD HI/LO 6-19 X .37SS	

OPTIONAL BRUSHES		
ITEM	PART NO.	DESCRIPTION
23.1	762394	PAD RETAINER, FIXED
23.2	762370	PAD RETAINER, REMOVEABLE
23.3	172520-1	BRUSH, 20" NYLON
23.4	172520-2	BRUSH, 20" PAD DRIVER
23.5	172520-4	BRUSH, 20" STRATA GRIT 46GR
23.6	172520-5	BRUSH, 20" DYNASCRUB 500GR



BILL OF MATERIAL - 172001TD-120							
ITEM	PART NO.	REQ'D	DESCRIPTION	ITEM	PART NO.	REQ'D	DESCRIPTION
1	172009	1	TD CHASSIS ASSY	30	711508	2	WSR-FLAT .44X 1.0X.08
2	172012	1	BATTERY TRAY ASSY	31	711519	3	WSR- FLAT .25 X 1.01 X .06
3	172015	1	TD HANDLE ASSY	32	711523	1	WSR-WAVE .37X .68 X .08
4	172032	1	LIFT PEDAL WMT	33	711543	1	WSR-HELICAL #10
5	172050	1	VAC MOTOR ASSY	34	711544	9	WSR-HELICAL 1/4
6	172055	1	BKT, VAC AREA INSIDE COVER	35	711546	6	WSR-HELICAL 3/8
7	172075-120	1	ELEC BOX TD ASSY 120V	36	711575	6	WSR-FLT .31x.75x..06ST
8	172079	1	TD ELEC BOX COVER ASSY	37	711803	1	COTTER PIN-HAIR
9	172085	2	KNOB, 3/8-16 STUD, 3 LOBE	38	712041	1	BLT- SHLDR 1/4-20 X .44 X .37
10	172112	1	SOL CONTROL ASSY	39	712117	1	CLEVIS PIN
11	172129	1	BKT, PWR CORD MOUNT	40	712301	6	WSR-FLAT .37 X .87 X .06
12	172166	1	TD LIFT PEDAL BKT ASSY	41	712312	2	WSR-FLAT .187 X 1.25
13	172179	1	CHARGER INLET ASSEMBLY	42	712562	2	BOLT-HH 1/4-20X3/4 SS
14	172184	1	FOAM COVER, REAR 1	43	712758	2	WSR-HELICAL 1/4 SS
15	172185	1	FOAM COVER, REAR 2	44	712800	1	SCR-MC 10-24 X .25 ST PL
16	172187	1	FOAM COVER, FRONT 2	45	712810	5	SCR-MC 10-24 X .37 ST PL
17	210142	1	PEDAL PAD	46	713042	4	BLT-HH 3/8-16 X 1 #5
18	260203	1	WIRE GRIP HOSE CLAMP	47	715029	1	DECAL-NAME PLATE SERIAL
19	293080	1	STRAIN RELIEF-HEYCO 1207	48	715047	1	DECAL-CLEAR LAMINATE 2X3
20	342440	1	FITTING, TEE 3/4MPT 1/2BARB PP	49	715950	1	LABEL, PATENT NUMBERS
21	430156	1	HOSE, 1/2 X 42 CLEAR	50	717025	1	WSR-FLAT 13/16ID X 1.25 X .08
22	450093	2	CRIMP CLAMP 3/4" STEPLESS	51	760592	1	KNOB, OVAL TAPERED
23	710177	1	SCR-MC 1/4-20 X .37 ST PL	52	809443	1	CLIP-WIRE & CORD
24	710178	10	SCR-MC 1/4-20 X .50 TRUSS STPL	53	172001BASE	1	BASE ASSY
25	710380	5	SCR-MC RD HD 1/4-20 X .75 STL PL	54	172115	1	SOL CNTRL LEVER ASSY
26	710985	2	SCR-SC 3/8-16 X .62 ST PL	55	172122	1	NUT, PUSH-ON WSR CAP, 3/16
27	711379	2	NUT, FLANGED WIZZ 5/16-18	56	172069	1	ROD, SOL. CTRL
28	711504	2	WSR-FLAT 1/4 ID SS	57	172062	1	YOKE, 3/16 CLEVIS, 10-32, LONG
29	711507	2	WSR-FLAT .37 X 1.12 X .06				

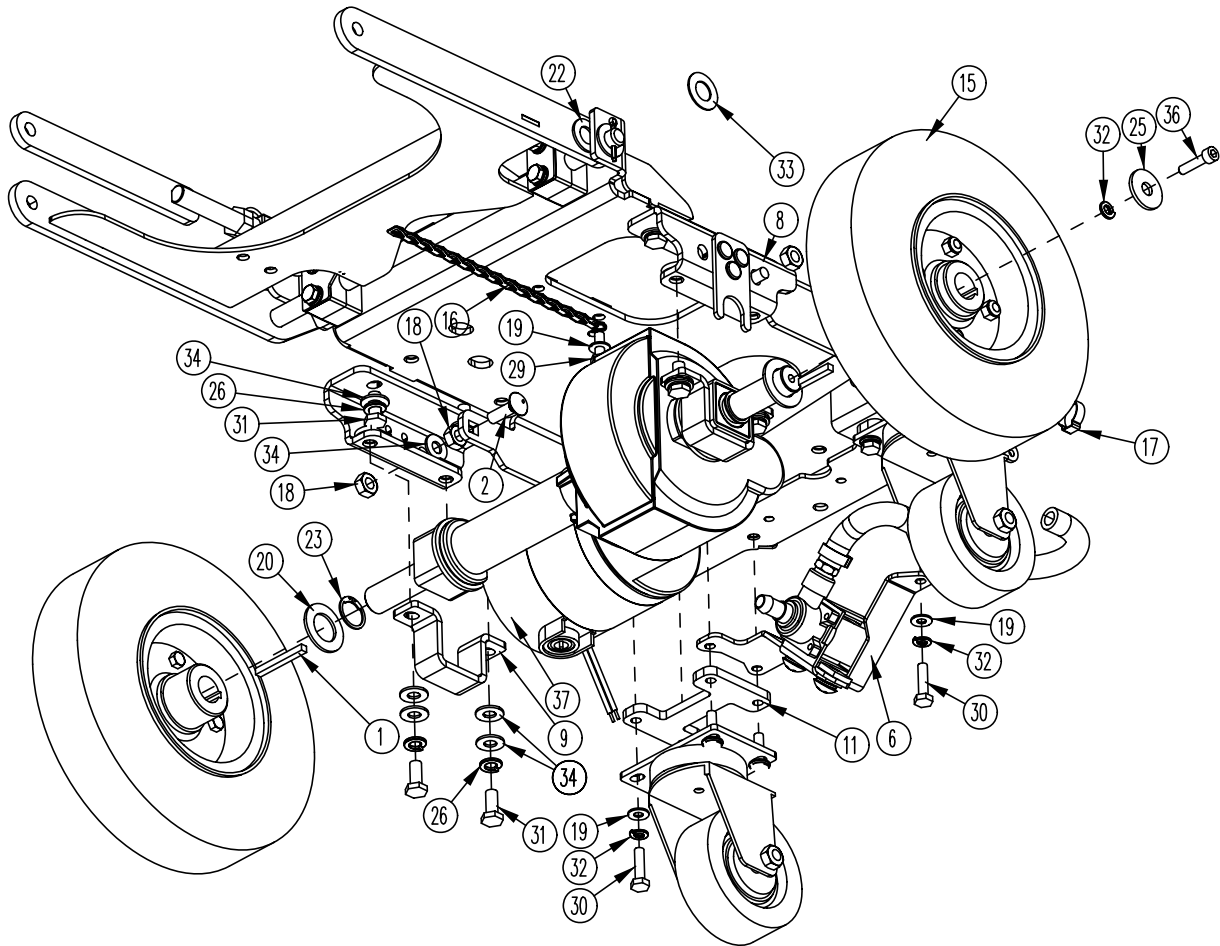
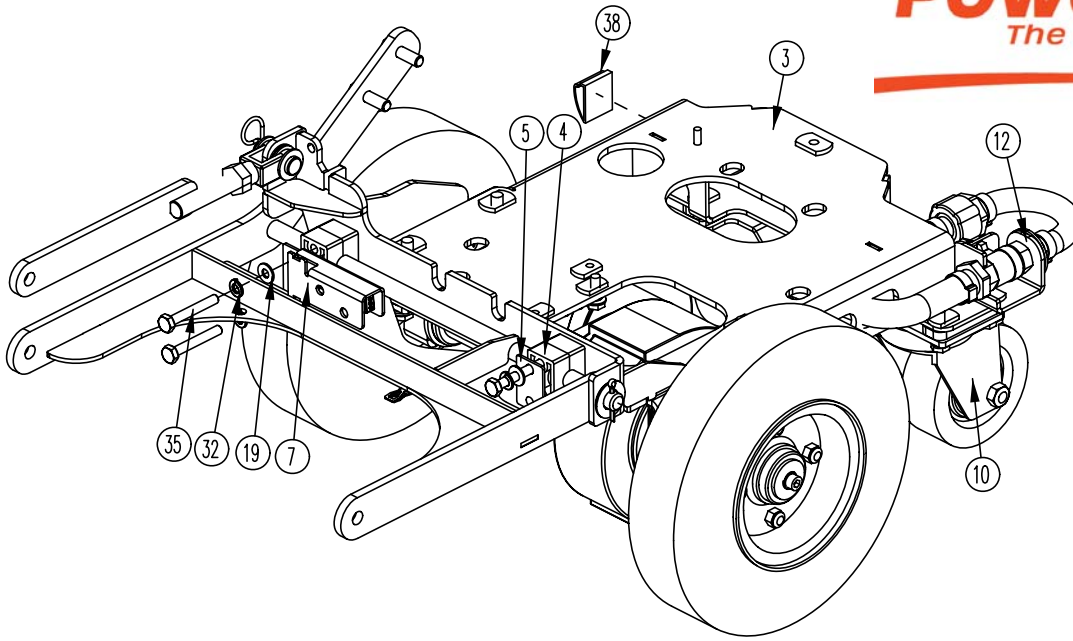




**BILL OF MATERIAL - 172001BASEPB**

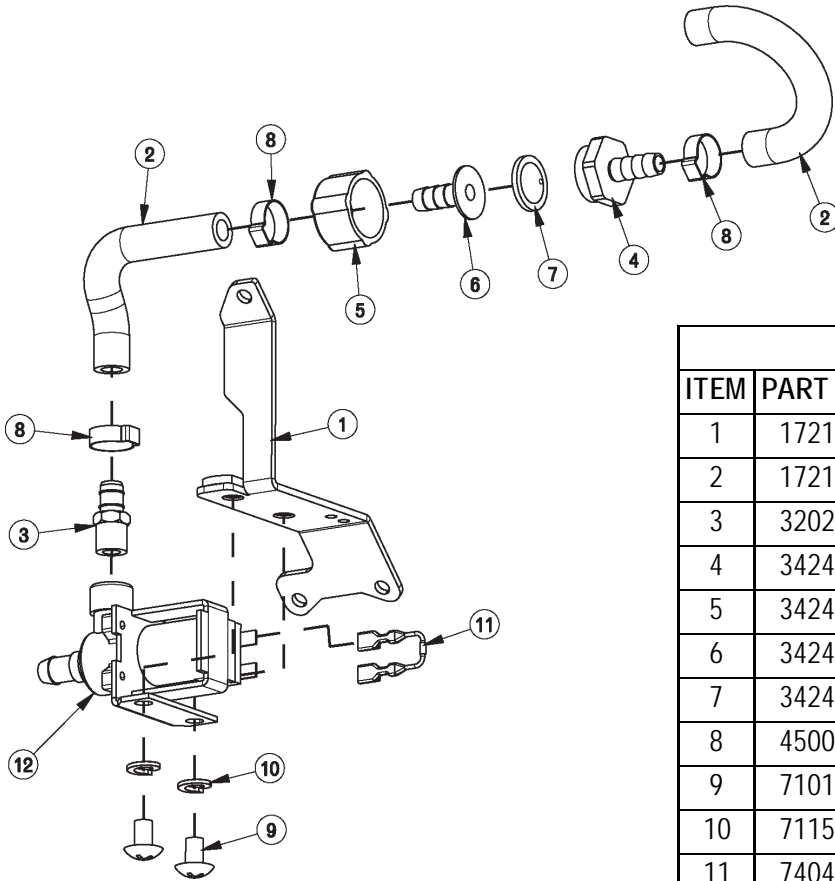
ITEM	PART NO.	REQ'D	DESCRIPTION
1	172013	1	SOL TANK ASSY
2	172014PB	1	REC TANK ASSY
3	172144	1	PANEL, FRONT
4	711504	3	WSR-FLAT 1/4 ID SS
5	711543	4	WSR-HELICAL #10
6	712041	1	BLT- SHLDR 1/4-20 X .44 X .37
7	712312	4	WSR-FLAT .187 X 1.25
8	712565	2	SCR-MC 1/4-20X.63 SS TR HD
9	712757	1	WSR - HELICAL #10 SS
10	712758	2	WSR-HELICAL 1/4 SS
11	712812	4	SCR-MC 10-24 X .62 PPH ST PL
12	712822	1	SCR-MC TR HD 10-24 X .50 SS





BILL OF MATERIAL - 172009			
ITEM	PART NO.	REQ'D	DESCRIPTION
1	61-65-A	2	KEY, 3/16 X 1-3/4"
2	70-516-16	2	BLT-CAR 5/16-18 X 1.00 ZP
3	172020	1	MAIN FRAME WMT, E1720
4	172038	4	BEARING BLOCK
5	172039	1	BEARING BLOCK PLATE
6	172104	1	TD SOLENOID ASSY
7	172110	1	DECK SWITCH ASSY
8	172113	2	BKT, TRANSAXLE MOUNT BASE
9	172114	2	BKT, TRANSAXLE MOUNT
10	172167	2	CASTER, 3-1/2 POLYURETHANE
11	172192	2	PLATE, 1/4" SPACER
12	172264	1	SOLUTION VALVE ASSY
13	172368	1	UPPER LIFT ARM
14	172370	1	DISC DECK LIFT WMT, E1720
15	200172-2	2	WHEEL, 8.5" FOAM FILL
16	281200	1	DRAG CHAIN ASSY, FRAME
17	450076	1	CLAMP-CRIMP 185R SS
18	711383	4	NUT-HEX CLR LOC 5/16-18
19	711504	13	WSR-FLAT 1/4 ID SS
20	711512	2	WSR-FLAT .75X1.37X.08
21	711569	3	WSR-FLT .390 X .880 X .062 NYL
22	711592	2	WSR-FLAT .506 X .9 X .064 NYL
23	711715	2	RETAINING RING EXT .75
24	711809	1	COTTER PIN, 1/8 X 1.0
25	711855	2	WSR-FLT .37X1.12X.10 STL Z HARD
26	712140	8	WSR-HELICAL 5/16 SS
27	712265	1	CLEVIS-YOKE, 1/2-20 W/ .375 PIN
28	712301	2	WSR-FLAT .37 X .87 X .06
29	712562	1	BOLT-HH 1/4-20X3/4 SS
30	712564	8	BOLT-HH 1/4-20X1.00 SS
31	712575	8	BLT-HH 5/16-18 X .75 SS
32	712758	14	WSR-HELICAL 1/4 SS
33	712760	1	WSR-FLAT .56X1.06X.04 SS
34	712772	14	WSR-FLAT .344 x .75 x .06 SS
35	713006	4	BLT-HH 1/4-20 X 1 3/4 #5
36	717026	2	SCR-SC SHCS M6X1.0 X 25 STL Z
37	747606	1	TRANSAXLE, ES1720 24V
38	809444	1	CLIP-CORD
39	833374	1	PIN, HAIRPIN COTTER 3/8
40	833833	1	PIN-CLEVIS 3/8 X 1.25
41	3400449	1	NUT-HEX JAM 1/2-20 ZP

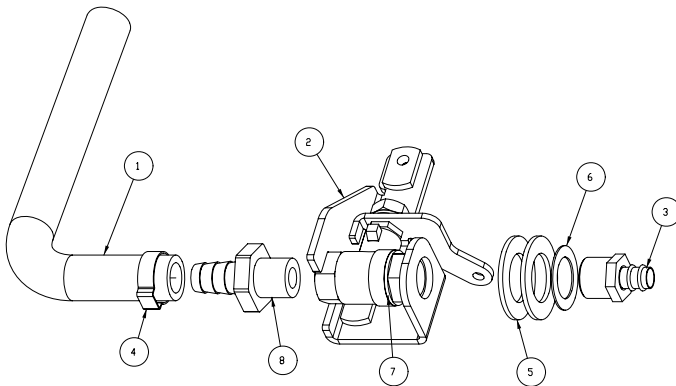
## Solenoid Assembly



**BILL OF MATERIAL - 172104**

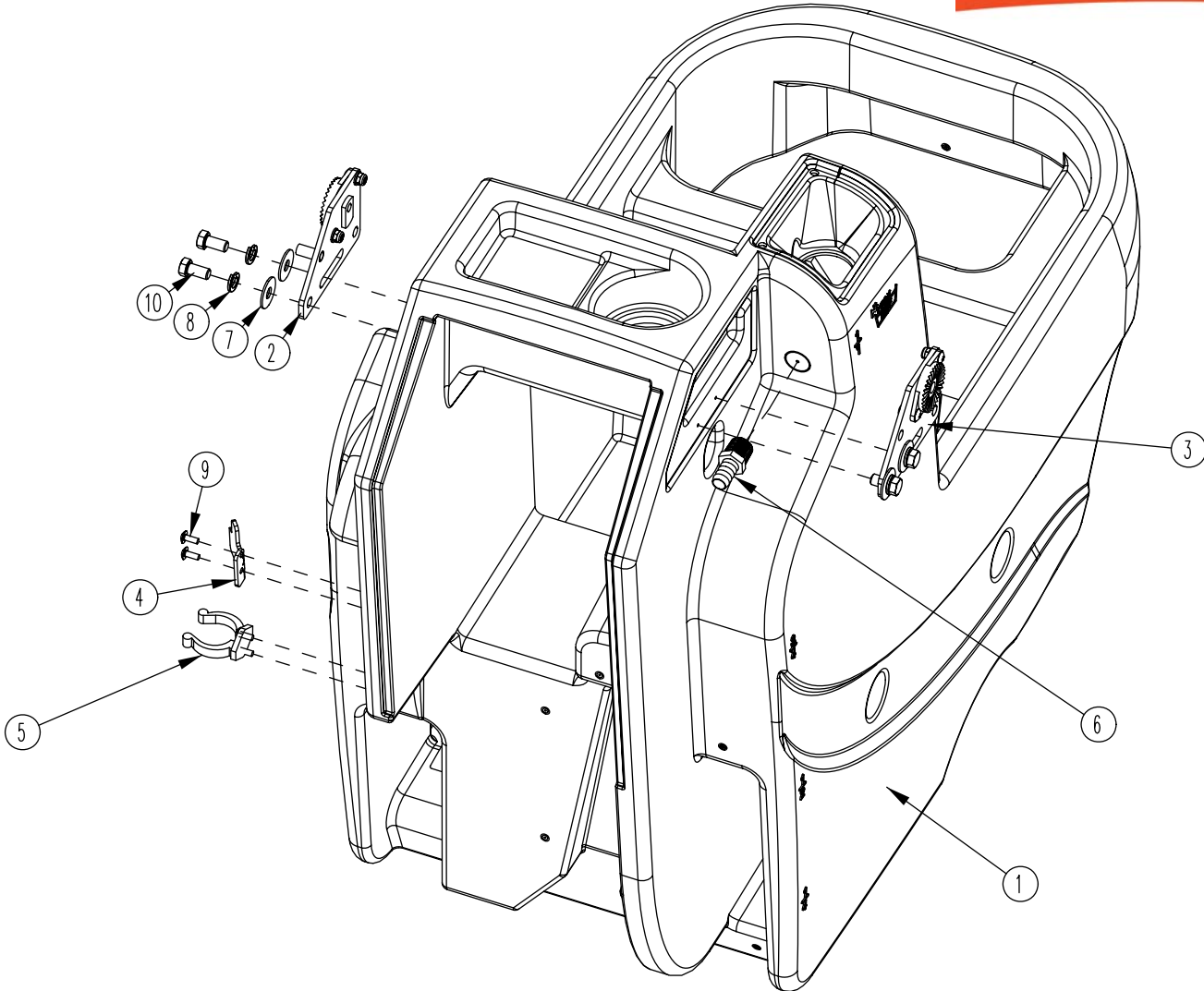
ITEM	PART NO.	REQ'D	DESCRIPTION
1	172105	1	BKT, TD SOLENOID MOUNT
2	172164	1	HOSE-NYLO REINF 3/8 X 5.5"
3	320264	1	FITTING BRASS - 3/8 DBL BARB X 1/4MPT
4	342441	1	FITTING, MGHT X 3/8HB PP
5	342442	1	FITTING, FGHT NUT PP
6	342443	1	FITTING 3/8HB INSERT PP
7	342444	1	WSR-FILTER, GARDEN HOSE SIZE
8	450076	3	CRIMP CLAMP SS 185R
9	710195	2	SCR-MC 5/16-18 X .50
10	711545	2	WSR-HELICAL 5/16
11	740482	1	DIODE ASY, 1N4007 W/PIGGY
12	740493	1	WATER VALVE 24VDC

## Solution Valve Assembly

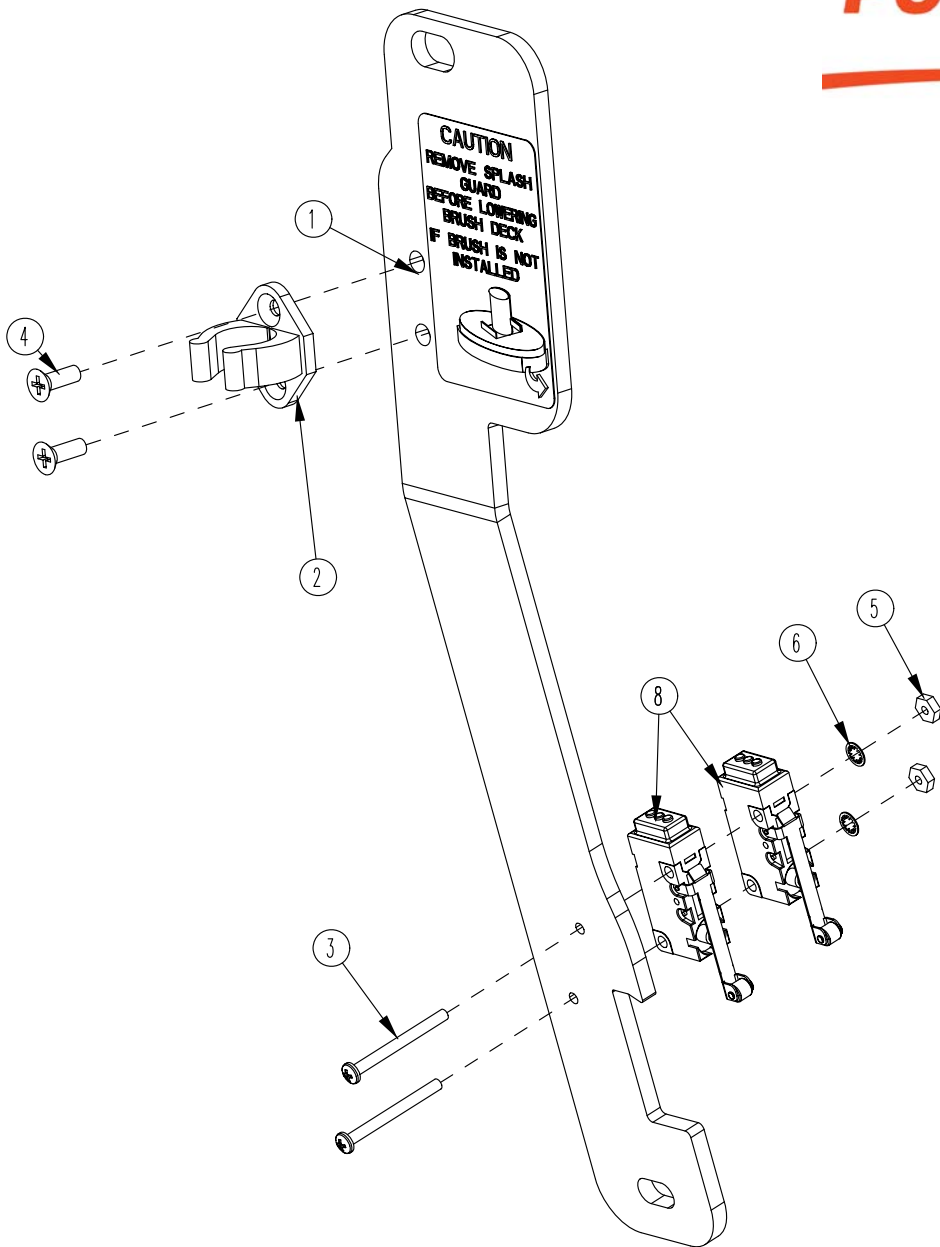


**BILL OF MATERIAL - 172264**

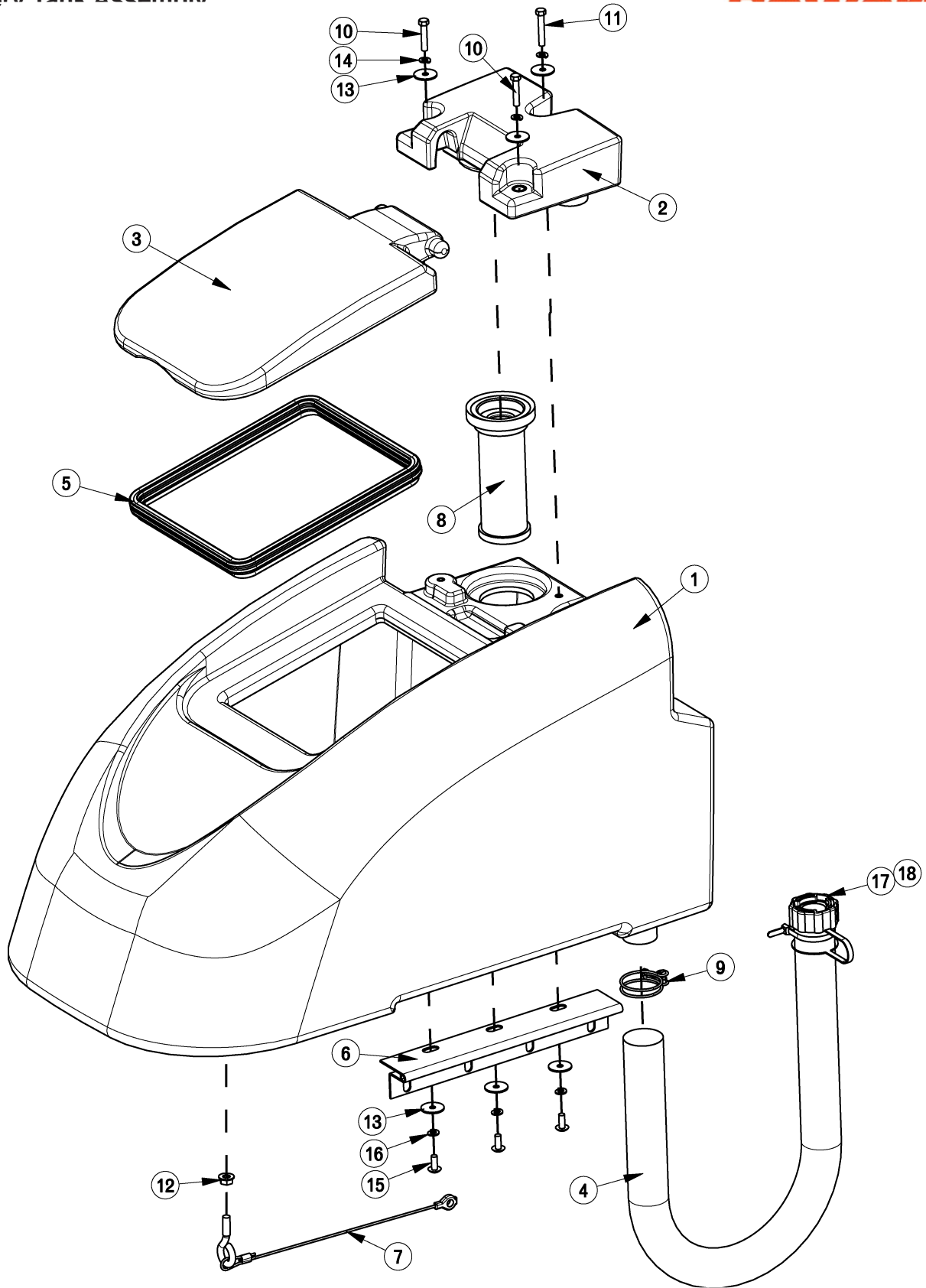
ITEM	PART NO.	REQ'D	DESCRIPTION
1	172158	1	HOSE, 1/2"ID X 7.5" NYLOBRAID
2	172263	1	BKT, SOL VALVE MOUNT
3	320265	1	FITTING DUBL 3/8HBx3/8MPT
4	383347	1	CRIMP CLAMP 1/2 HOSE SS 185R
5	711512	2	WSR-FLAT .75X1.37X.08
6	711513	1	WSR-FLAT .69 X 1.06 X .03 SS
7	809415	1	VALVE, 3/8 FPT, 45 OPEN/CLOSE
8	827008	1	FITTING, 3/8 MPT 1/2 HOSE



BILL OF MATERIAL - 172013			
ITEM	PART NO.	REQ'D	DESCRIPTION
1	172003	1	SOLUTION TANK
2	172080	1	HANDLE MOUNT ASSY, LEFT
3	172082	1	HANDLE MOUNT ASSY, RIGHT
4	172341	1	HOOK, DRAIN HOSE WITH TWIST VALVE
5	260579	1	TOOL CLIP, 1.5" HOSE
6	342438	1	FITTING, 1/2 MPT 1/2 HB BRASS
7	711507	4	WSR-FLAT .37 X 1.12 X .06
8	711546	4	WSR-HELICAL 3/8
9	712822	4	SCR-MC TR HD 10-24 X .50 SS
10	713041	4	BLT-HH 3/8-16 X 3/4 #5



BILL OF MATERIAL -172166			
ITEM	PART NO.	REQ'D	DESCRIPTION
1	172036	1	BKT , PEDAL STOP
2	172065	1	CLIP, FOR 1/2" ID HOSE
3	710495	2	SCR-MC 4-40 X 1.25 STL Z
4	710530	2	SCR-MC FL HD 8-32 X .50 BRS
5	711428	2	NUT -HEX 4-40
6	712326	2	WSR-INT LOCK #4
7	715685	1	DECAL, REMOVE SPLASH GUARD
8	747603-2	2	SWITCH ASY, MICRO ROLLER W/PACK/CONDUIT

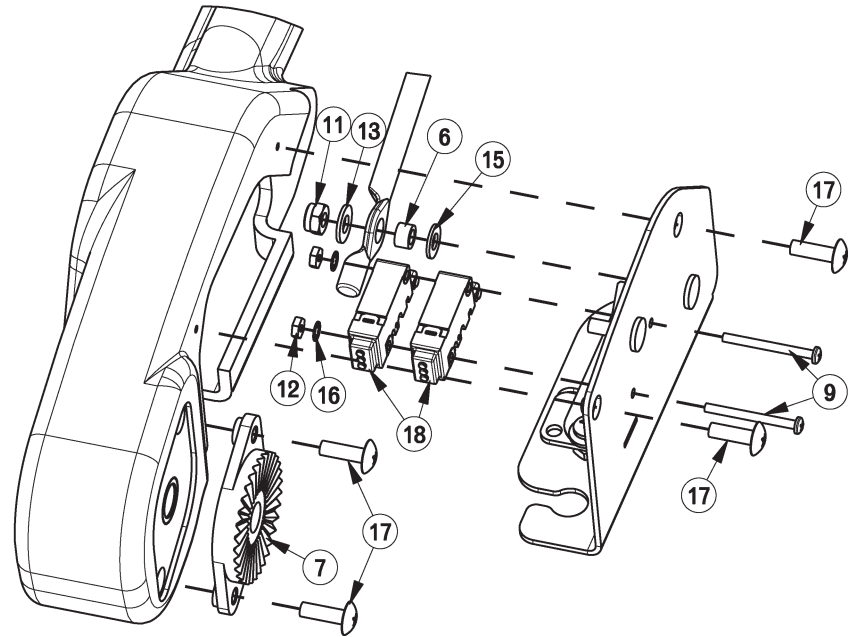
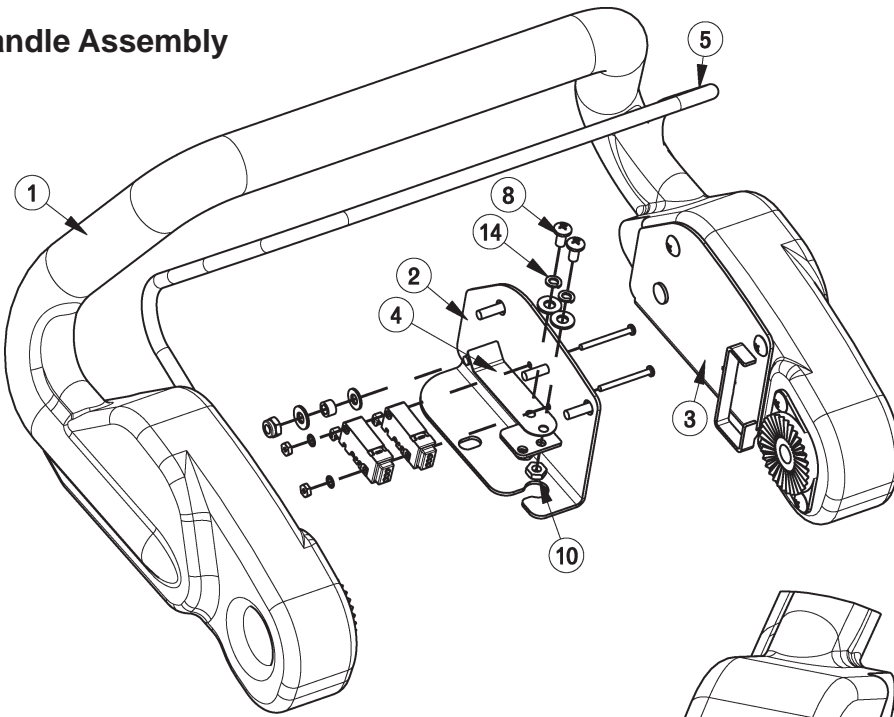




BILL OF MATERIAL - 172014HR			
ITEM	PART NO.	REQ'D	DESCRIPTION
1	172004HR	1	RECOVERY TANK
2	172005HR	1	VACUUM MANIFOLD
3	172007	1	LID
4	97090096	1	DRAIN HOSE ASSY, RECOVERY TANK
5	172017	1	GASKET, LID
6	172049	1	HINGE, RECOVERY TANK
7	172394	1	REC TANK CABLE ASSY 11.625
8	172132	1	SCREENED FLOAT
9	172329	1	CLAMP-HOSE 1.56" 102122 MURRAY
10	711210	2	BLT-HH 1/4-20 X 1.25 STPL
11	711212	1	BLT-HH 1/4-20 X 1.50 STPL
12	711379	1	NUT, FLANGED WIZZ 5/16-18
13	711519	6	WSR- FLAT .25 X 1.01 X .06
14	711544	3	WSR-HELICAL 1/4
15	712565	3	SCR-MC 1/4-20X.63 SS TR HD
16	712758	3	WSR-HELICAL 1/4 SS
17	15282072	1	REPLACEMENT O-RING (NOT SHOWN)
18	90304528	1	REPLACEMENT CAP

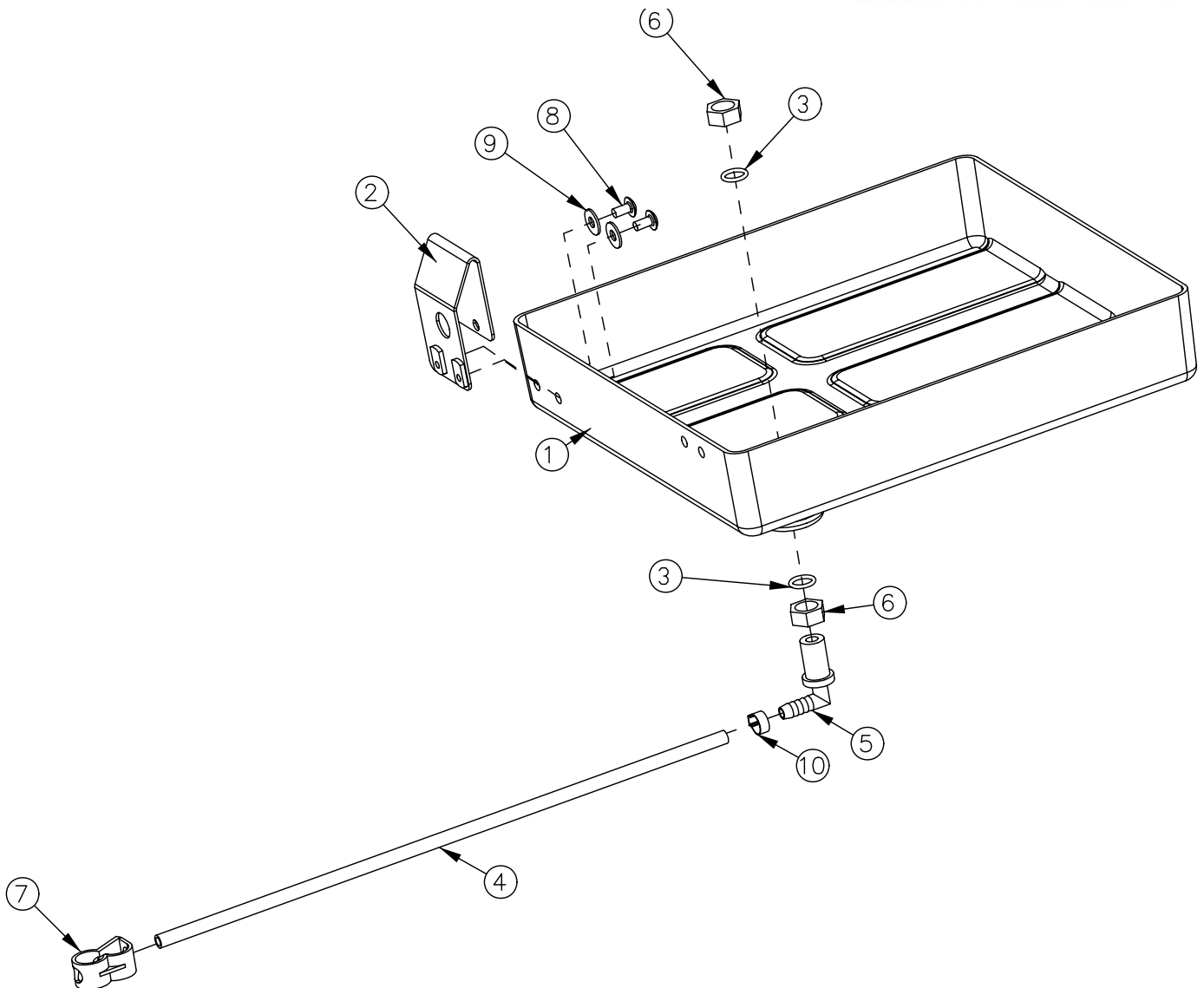


# Handle Assembly



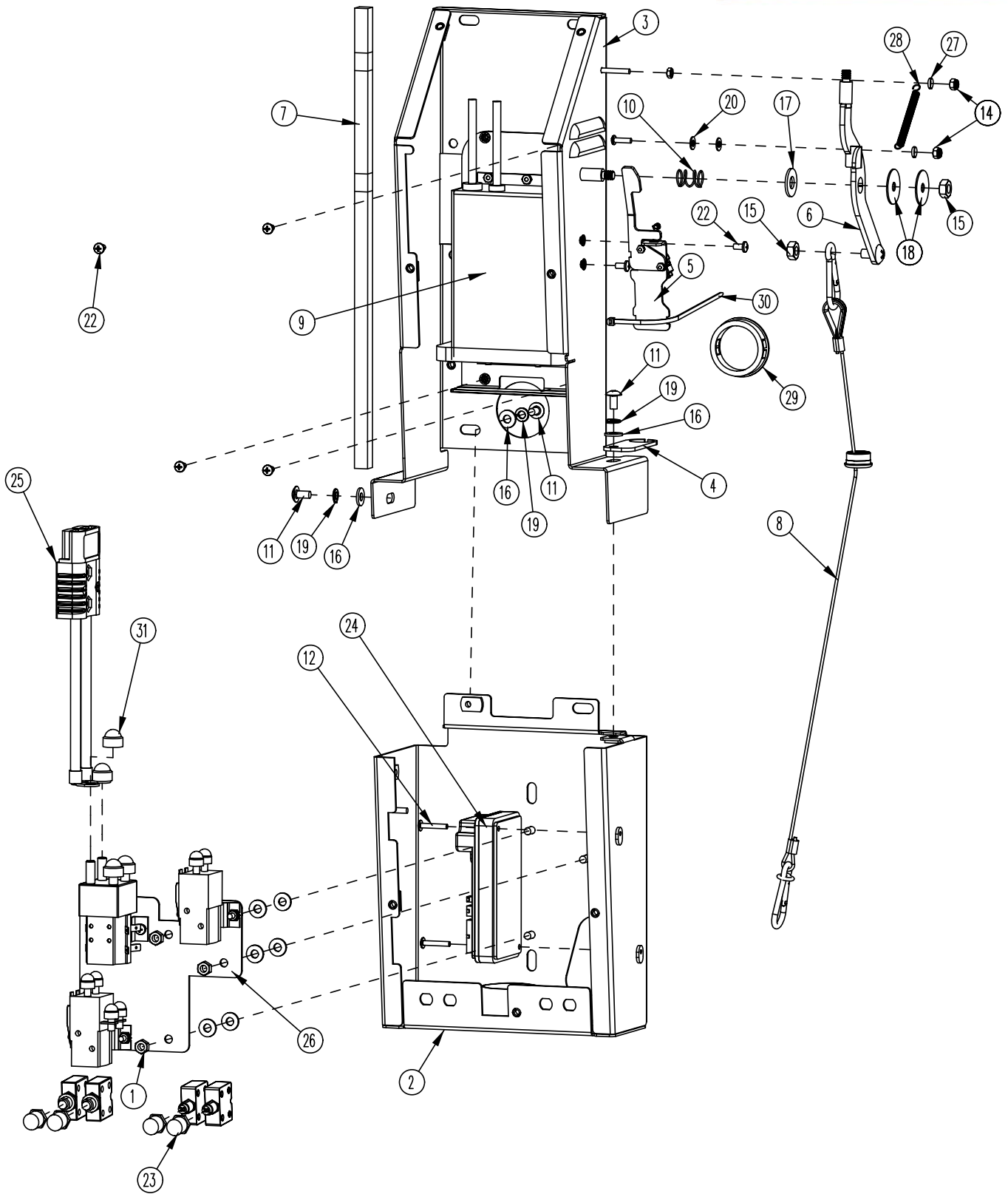
### BILL OF MATERIAL - 172015

ITEM	PART NO.	REQ'D	DESCRIPTION	ITEM	PART NO.	REQ'D	DESCRIPTION
1	172006	1	HANDLE	11	711350	2	NUT-NYLOC 10-32
2	172053	1	BAIL PLATE WMT RH	12	711428	2	NUT-HEX 4-40
3	172054	1	BAIL PLATE WMT LH	13	711503	6	WSR, FLAT #10
4	172057	2	LEAF SPRING	14	711543	4	WSR-HELICAL #10
5	172059	1	BAIL, HANDLE	15	712320	2	WSR-NYLON .22 X .45 X .04
6	172074	2	SPACER, 5/16OD X 17GA, ALUM	16	712326	2	WSR-INT LOCK #4
7	270143	2	HANDLE PIVOT JAW	17	712830	10	SCR-MC 10-24 X .62 STLZ TR HD
8	710353	4	SCR-MC RD HD 10-32 X .37 STL	18	747603-3	2	SWITCH ASY, MICRO ROLLER W/PACK/CONDUIT
9	710495	2	SCR-MC 4-40 X 1.25 STL Z	19	747715-1	1	CABLE ASY, 5 COND 18G TD
10	711310	4	NUT, HEX 10-32 ST PL				



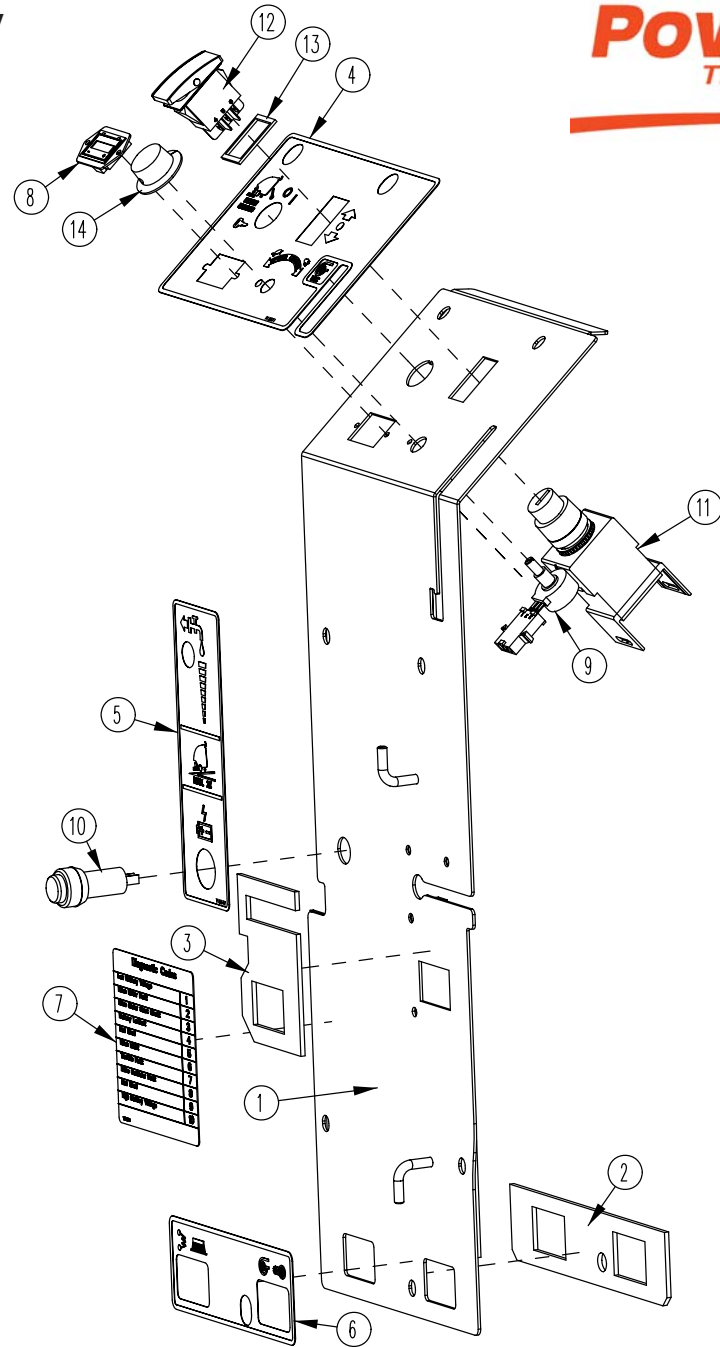
**BILL OF MATERIAL - 172012**

ITEM	PART NO.	REQ'D	DESCRIPTION
1	172116	1	BATTERY BOX
2	172213	1	BKT, SPACER FOR BATTERIES
3	210414	2	O RING 2-113
4	260224	1	18" HOSE
5	320271	1	NOZZLE BODY-ELBOW
6	320272	2	NOZZLE BODY LOCKNUT
7	320273	1	HOSE SHUT-OFF CLAMP
8	710178	2	SCR-MC 1/4-20 X .50 TRUSS STPL
9	711575	2	WSR-FLT .31x.75x.06ST
10	828490	1	CRIMP CLAMP 140R



BILL OF MATERIAL - 172075-120			
ITEM	PART NO.	REQ'D	DESCRIPTION
1	369-416	3	NUT-HEX 1/4-20 NYLOC SERATED
2	172077	1	ELEC BOX-BOT HALF WMT
3	172088	1	ELEC BOX-TOP HALF WMT
4	172107	1	BKT, UPPER BUSHING MOUNT
5	172141	1	VAC SWITCH ASSY
6	172152	1	VAC LEVER WMT
7	172188_	1	FOAM TAPE, 1/2" SQ X 16.5"
8	172381	1	CABLE ASSY, SQUEEGEE LIFT
9	172385	1	E1720 120V CHARGER ASSEMBLY
10	670093	1	SPRING, COMPRESSION
11	710178	3	SCR-MC 1/4-20 X .50 TRUSS STPL
12	710534	2	SCR-MC TR HD 8-32 X 1.00 SS
13	711305	1	NUT, HEX 8-32 BR
14	711372	2	NUT-NYLOC 8-32 STL ZINC
15	711383	2	NUT-HEX CLR LOC 5/16-18
16	711505	9	1/4 FLAT WASHER, STEEL
17	711508	1	WSR-FLAT .44X 1.0X.08
18	711516	2	WSR- FLAT .31 X 1.25 X .05
19	711544	3	WSR-HELICAL 1/4
20	712320	2	WSR-NYLON .22 X .45 X .04
21	712770	6	WSR INT LOCK #10A SS
22	712810	6	SCR-MC 10-24 X .37 ST PL
23	742748	4	CIRCUIT BREAKER BOOT
24	747608	1	I-DRIVE,24V 70A PM MOTOR CONTROL
25	747637	1	WIRE ASY, MACHINE-BATTERY E1720
26	747670	1	ELEC PANEL ASSY, E1720TD
27	760134	2	MOUNT RING
28	762084	1	SPRING-EXT .25OD X 2" F.L. MUSIC
29	762400	1	HEYCO BUSHING 2.00"
30	828062	1	CABLE TIE LARGE
31	15592033_CAP	2	CAP, SAFETY NUT COVER M8

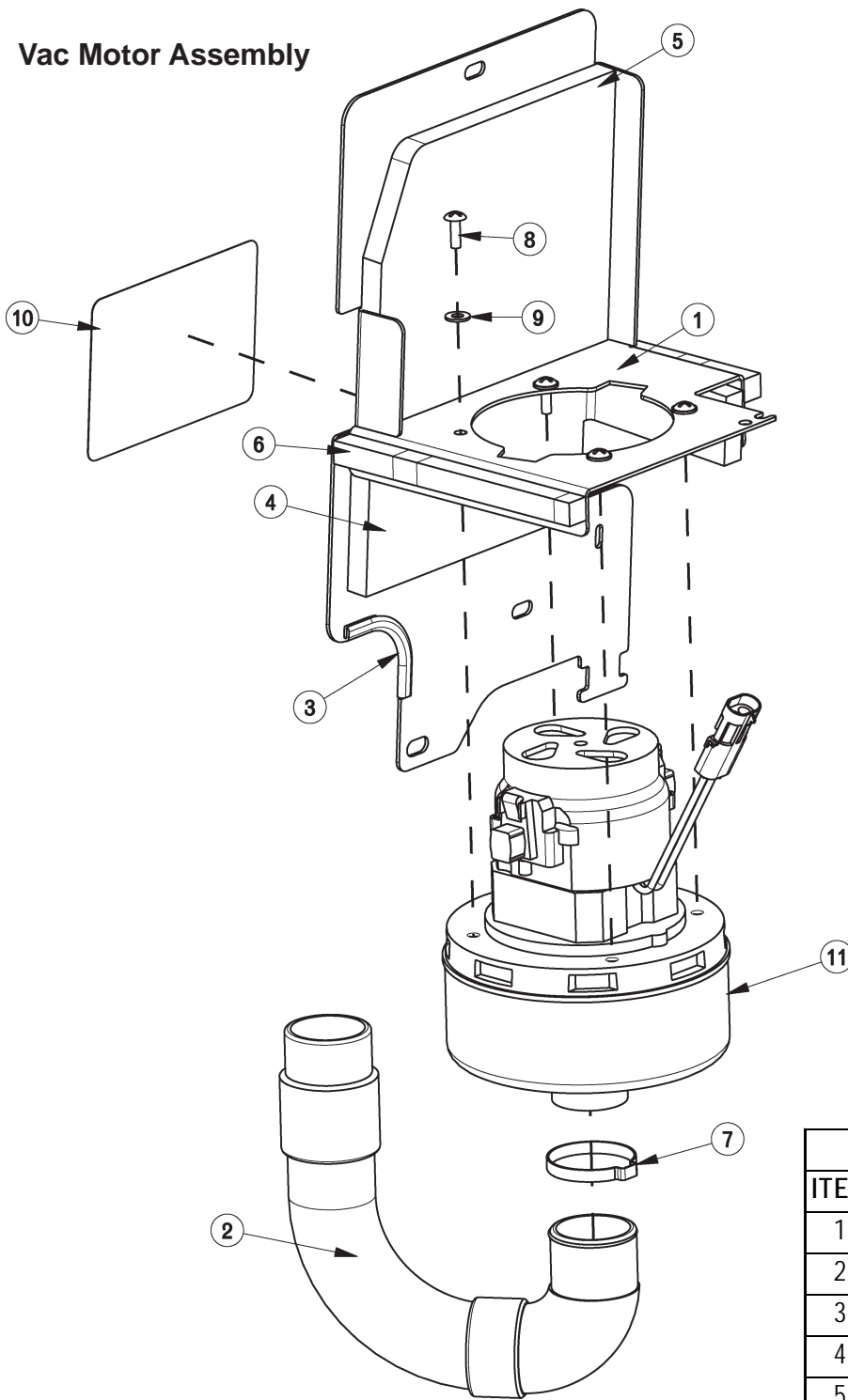
# Electrical Box Cover Assembly



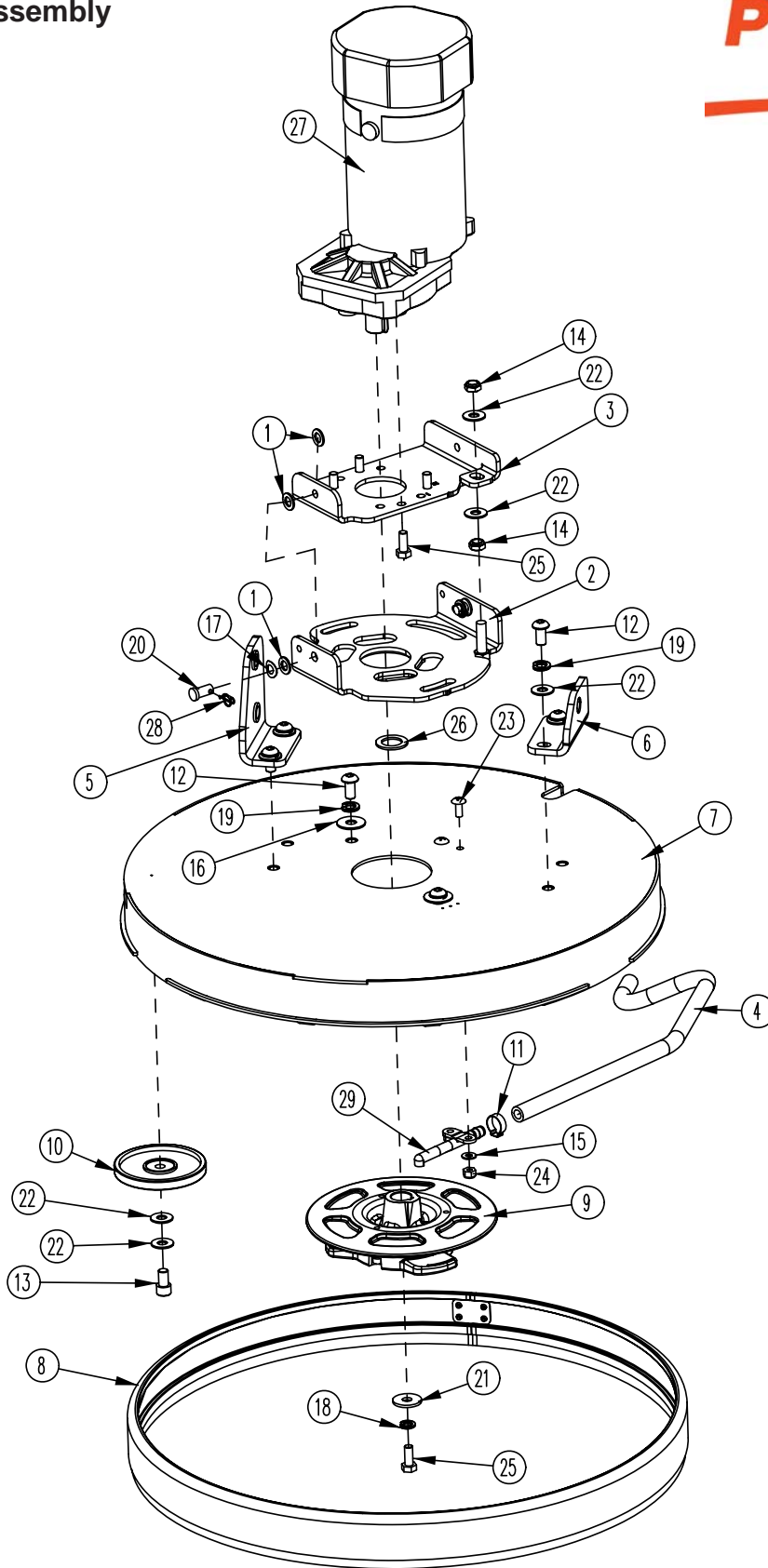
### BILL OF MATERIAL - 172079PB

ITEM	PART NO.	REQ'D	DESCRIPTION	ITEM	PART NO.	REQ'D	DESCRIPTION
1	172182	1	TD COVER WMT	8	747011	1	BATTERY GAUGE, TRUCHARGE
2	172193	1	GASKET, CB OUTLINE	9	747026	1	POTENTIOMETEOR ASSY SPEED CONTROL
3	172194	1	GASKET, CHARGER CORD PLATE	10	747614	1	CHARGE STATUS INDICATOR
4	715682	1	DECAL, 1720 TD DASHBOARD	11	747617-2	1	KEYSWITCH ASY, KEYSWITCH + WIR
5	715672	1	DECAL, 1720 BD ELEC BOX	12	748201	1	SWITCH, DPDT ON/OFF/ON
6	715674	1	DECAL, TD CIRCUIT BREAKER	13	748209	1	GASKET-FOR 2 POLE ROCKER SWITCHES
7	715678	1	DECAL. DIAGNOSTIC CODES E1720TD	14	809874	1	KNOB, SPEED CONTROL

# Vac Motor Assembly

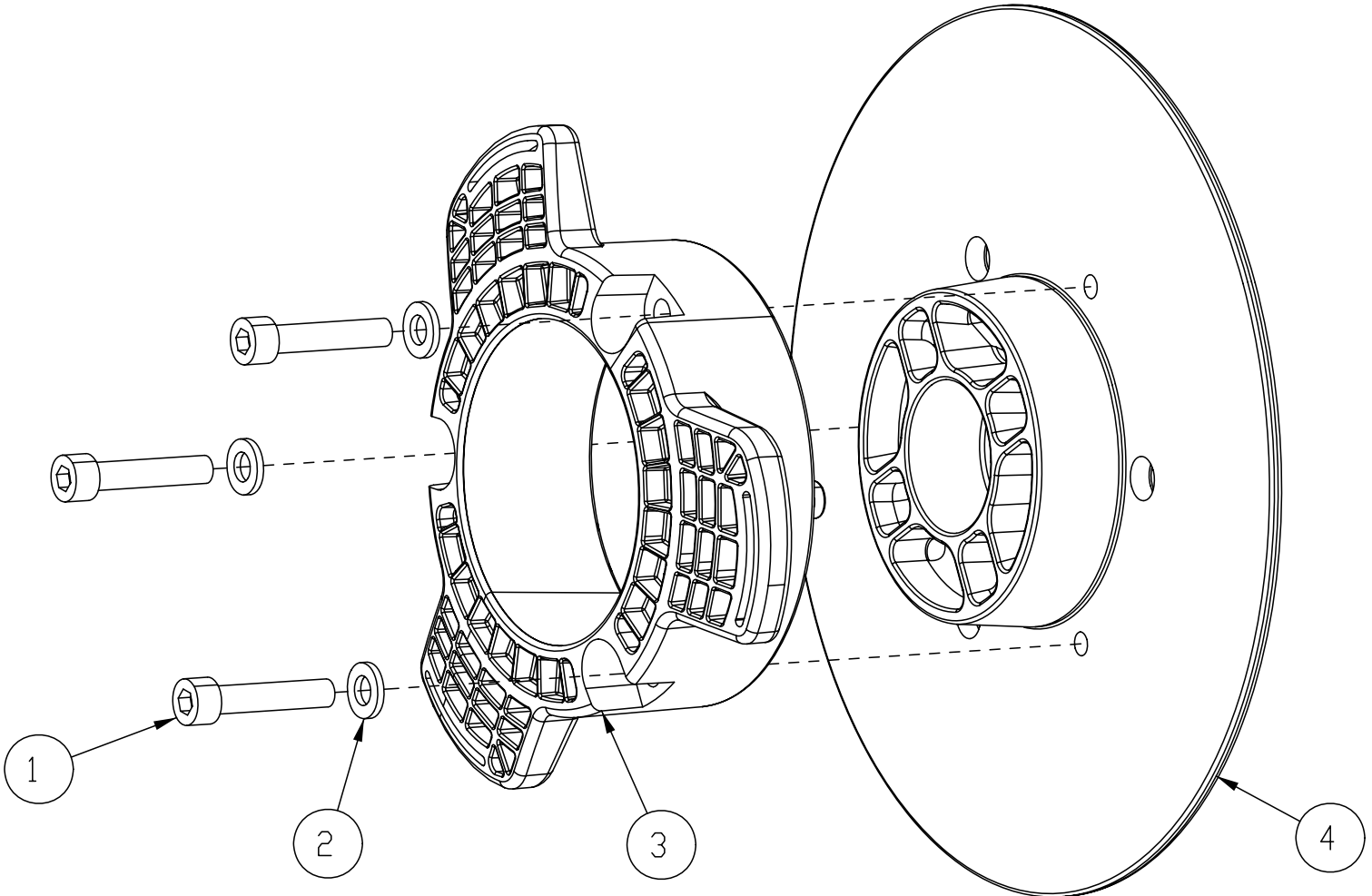


BILL OF MATERIAL - 172050			
ITEM	PART NO.	REQ'D	DESCRIPTION
1	172045	1	VAC MOUNT WMT
2	172048	1	HOSE, STRETCH 13"
3	172124	1	EDGE TRIM, .063 X 3.0, BLACK
4	172186	1	FOAM COVER, FRONT 1
5	172187	1	FOAM COVER, FRONT 2
6	172188	2	FOAM TAPE, 1/2" SQ X 16.5"
7	450095	1	CRIMP CLAMP, 1.75"
8	711160	4	#10 X 5/8 HI-LO
9	711503	4	WSR, FLAT #10
10	715676	1	DECAL, BATT CABLE ROUTE
11	747607-1	1	VAC MOTOR ASY





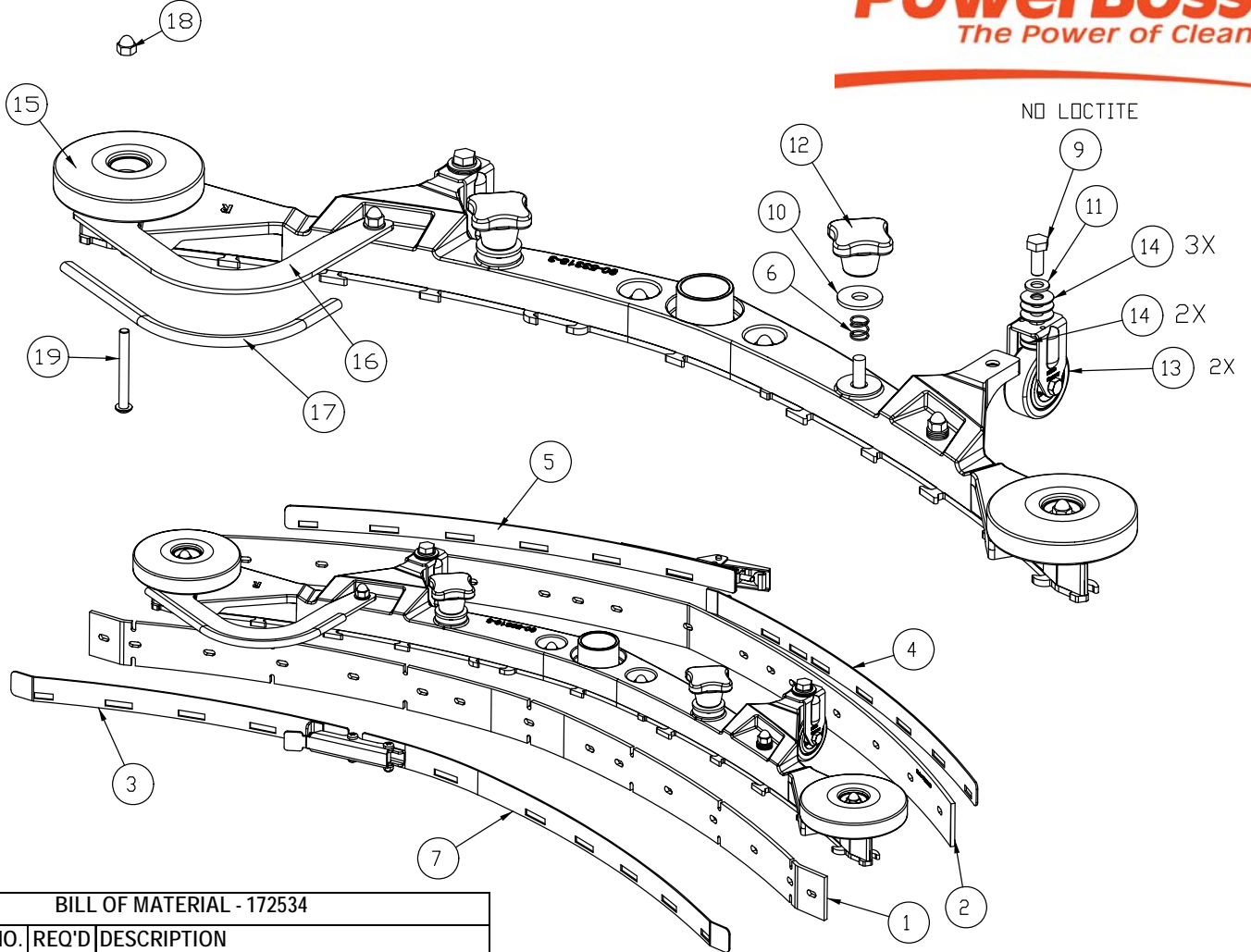
BILL OF MATERIAL - 172100TD			
ITEM	PART NO.	REQ'D	DESCRIPTION
1	81-166-A	6	SPECIAL WASHER
2	172040	1	DECK ANGLE ADJUST WMT
3	172044	1	PLATE, MOTOR MOUNT
4	172198	1	HOSE-NYLO REINF 3/8 X 22.5"
5	172296	1	BKT, DECK MOUNT RH
6	172297	1	BKT, DECK MOUNT LH
7	172375	1	DECK COVER WMT 20"
8	172384	1	E20 FLOATING BRUSH DECK SKIRT
9	172510	1	HUB ASSEMBLY, DISC DECK
10	210153	1	ROLLER WHEEL
11	450076	1	CLAMP-CRIMP 185R SS
12	710990	6	SCR-SC 3/8-24 X .75 BHEAD ST PL
13	710991	1	SCR-SC 3/8-24 X 5/8 ST PL
14	711375	2	NUT-NYLOC 3/8-16 X 1/2 NUT
15	711504	2	WSR-FLAT 1/4 ID SS
16	711507	2	WSR-FLAT .37 X 1.12 X .06
17	711523	2	WSR-WAVE .37X .68 X .08
18	711545	1	WSR-HELICAL 5/16
19	711546	6	WSR-HELICAL 3/8
20	711679	2	CLEVIS PIN 3/8 X 3/4
21	711855	1	WSR-FLT .37X1.12X.10 STL Z HARD
22	712301	8	WSR-FLAT .37 X .87 X .06
23	712565	2	SCR-MC 1/4-20X.63 SS TR HD
24	712667	2	NUT, HEX 1/4-20 NYLOC SS
25	717024	5	BOLT-HH M8X1.25 X 20
26	717025	1	WSR-FLAT 13/16ID X 1.25 X .08
27	747600	1	MOTOR, OFFSET PM GEAR, 550W
28	3400125	2	PIN-COTTER 3/8 RUE RING
29	90311663	1	HAKO SOL FEED NOZZLE



**BILL OF MATERIAL - 172510**

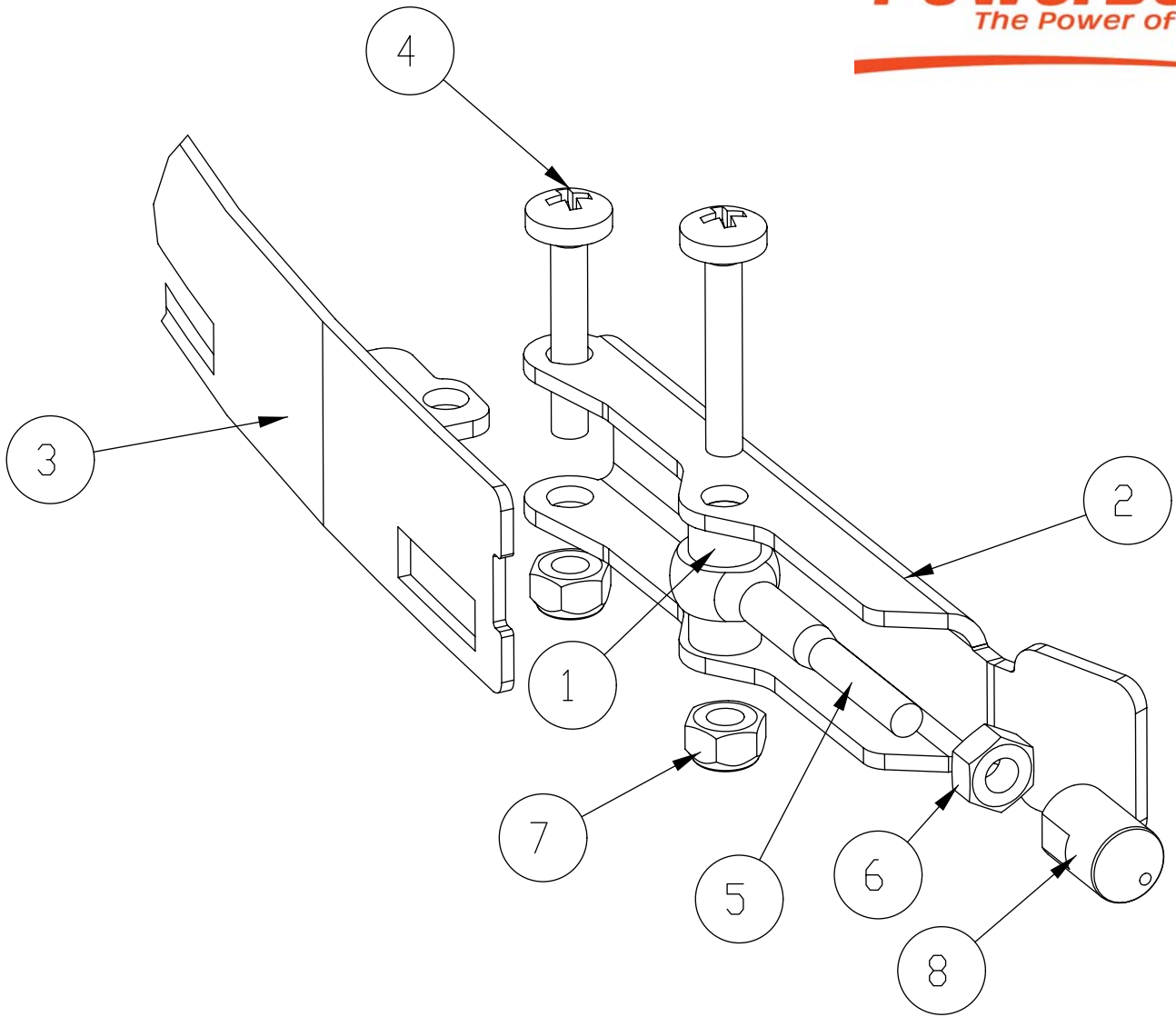
ITEM	PART NO.	REQ'D	DESCRIPTION
1	11127000	3	SCR-SHCS M6X30 SS, ISO4762
2	12310256	3	WSR-FLT 6.4X12X1.6, SS DIN125
3	90541814	1	DRIVE HUB, PLASTIC 3 LOBE
4	172096MCH	1	BASE, DRIVE HUB WITH KEYWAY

# Rear Squeegee Assembly



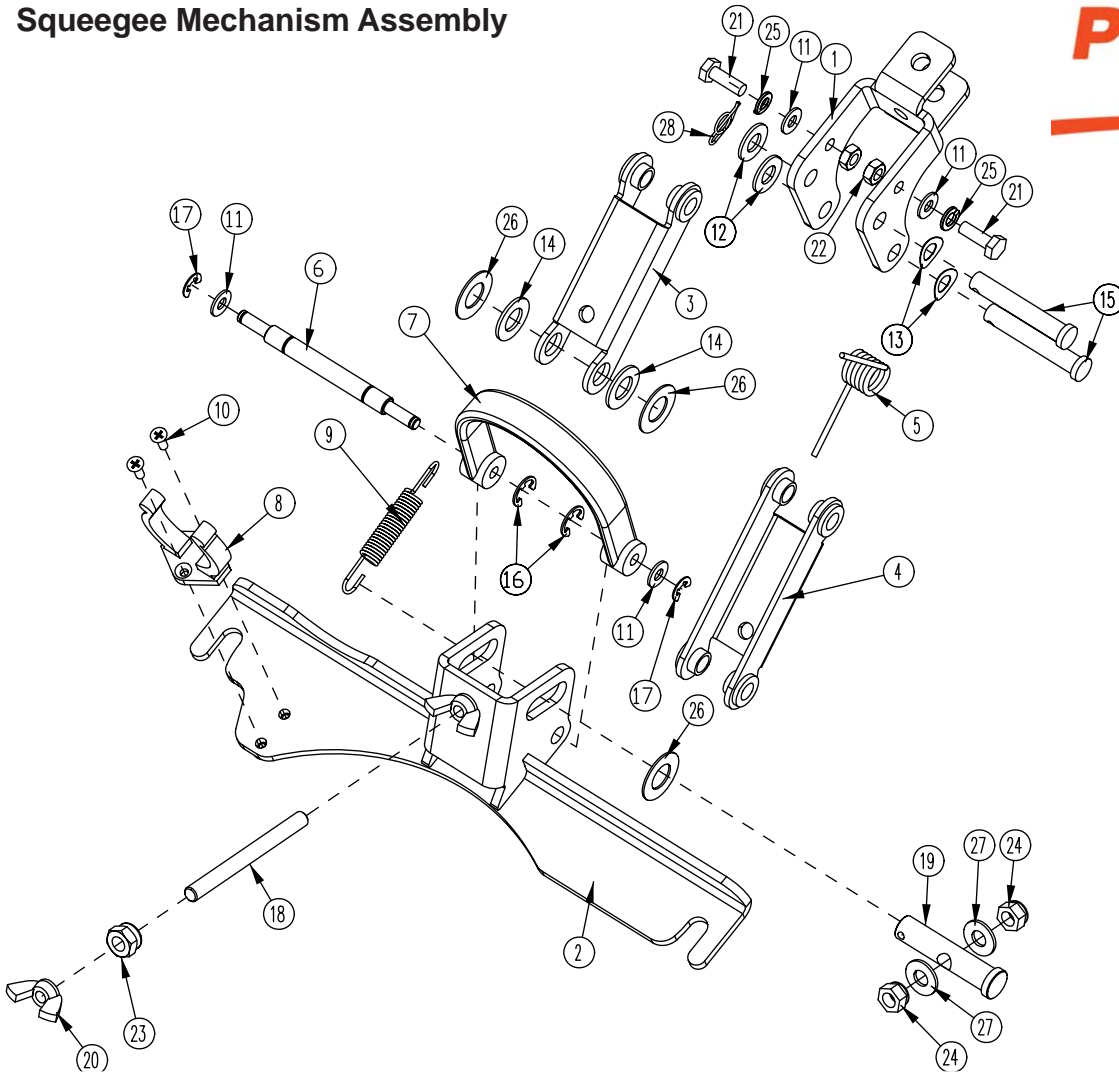
**BILL OF MATERIAL - 172534**

ITEM	PART NO.	REQ'D	DESCRIPTION
1	172162	1	BLADE, FRONT 34" SQUEEGEE
2	172163	1	BLADE, REAR 34" SQUEEGEE
3	172241	1	STRAP WMT, FRONT
4	172245	1	STRAP WMT, REAR
5	172246	1	STRAP WMT, REAR
6	172429	2	SPRING, COMPRESSION
7	172440	1	TENSION BAND ASM, FRONT LEFT 34"
8	172535	1	SQG BASE ASSEMBLY 34"
9	717030	2	BOLT-HH M8X1.25 X 20 SS
10	717040	2	WSR-FLT 10.5 X 30 X 2.5 SS
11	12310264	2	WSR-FLT M8.4X16X1.6 SS
12	17133026	2	KNOB, M10 STAR HANDLE
13	90513094	2	FIXED CASTOR
14	90531112	10	WSR-FLT 8.3 X 22 X 1MM SS
15	90548397	2	ROLLER - PLASTIC, 100mm DIA. (4"), BLACK
16	172271	1	BUMPER, 34" SQG
17	172274	1	EDGE TRIM, 5/16 X 10" BLACK
18	712591	6	NUT, ACORN 1/4-20 SS
19	712592	2	SCR-MC BHCS, 1/4-20 X 2.25 SS



BILL OF MATERIAL - 172440			
ITEM	PART NO.	REQ'D	DESCRIPTION
1	172074	2	SPACER, 5/16OD X 17GA, ALUM
2	172234	1	LEVER, 90535758
3	172240	1	STRAP WMT, FRONT LEFT
4	11175494	2	SCR-MC M5 X 25 SS DIN7985
5	11518313	1	BLT-EYE M5 X 40 SS
6	12022430	1	NUT - HEX, M5, SS DIN934
7	12040283	2	NUT - HEX, M5 NYLON LOCK, SS DIN985
8	90513631	1	PIN, THD 90513631

# Squeegee Mechanism Assembly



**BILL OF MATERIAL - 172150**

ITEM	PART NO.	REQ'D	DESCRIPTION	ITEM	PART NO.	REQ'D	DESCRIPTION
1	172134	1	BKT, MAIN SQUEEGEE HINGE	15	711678	2	CLEVIS PIN 3/8 X 2-1/4
2	172155	1	SQUEEGEE MOUNT WMT	16	711717	2	RETAINING RING- E TYPE .37
3	172196	1	SQ TOP LINK W/ BUSHING	17	711720	2	.250 DIA RETAINING RING- E TYPE
4	172197	1	SQ BOT LINK W/ BUSH	18	712147	1	ROD-THD 5/16-18 X 3.5 SS
5	172261	1	TORSION SPRING	19	712148	1	CLEVIS PIN, 1/2 x 2.25 W/ HOLE
6	172352	1	PIN, 3/8 X 3.0, SQG STRAP	20	712157	2	NUT- WING 5/16-18 SS
7	172357	1	STRAP, 9" PU, BLACK	21	712562	2	BOLT-HH 1/4-20X3/4 SS
8	260579	1	TOOL CLIP, 1.5" HOSE	22	712665	2	NUT-HEX 1/4-20 SS
9	430051	1	RETURN SPRING-3.00"	23	712680	1	NUT-HEX 5/16-18 SS
10	710530	2	SCR-MC FL HD 8-32 X .50 BRS	24	712683	2	NUT, HEX 5/16-18 NYLOC SS
11	711504	4	WSR-FLAT 1/4 ID SS	25	712758	2	WSR-HELICAL 1/4 SS
12	711515	2	WSR-FLAT .406 X .812 X .0625	26	712760	3	WSR-FLAT .56X1.06X.04 SS
13	711523	2	WSR-WAVE .37X .68 X .08	27	712772	2	WSR-FLAT .344 x .75 x .06 SS
14	711592	2	WSR-FLAT .506 X .9 X .064 NYL	28	3400125	1	PIN-COTTER 3/8 RUE RING

**Revision F**  
**Effective November 1, 2008**  
**PowerBoss Made Simple Industrial Limited Warranty**

Minuteman International owner of PowerBoss warrants to the original purchaser/user that the product is free from defects in workmanship and materials under normal use. PowerBoss will, at its option, repair or replace without charge, parts that fail under normal use and service when operated and maintained in accordance with the applicable operation and instruction manuals. All warranty claims must be submitted through and approved by factory authorized repair stations.

This warranty does not apply to normal wear, or to items whose life is dependent on their use and care. Parts not manufactured by PowerBoss are covered by and subject to the warranties and/or guarantees of their manufacturers. Please contact Minuteman International for procedures in warranty claims against these manufacture.

**Special warning to purchaser** – Use of replacement parts not manufactured by PowerBoss or its designated licensees, will void all warranties expressed or implied. A potential health hazard exists without original equipment replacement.

All warranted items become the sole property of Minuteman International or PowerBoss or its original manufacturer, whichever the case may be.

PowerBoss disclaims any implied warranty, including the warranty of merchantability and the warranty of fitness for a particular purpose. PowerBoss assumes no responsibility for any special, incidental or consequential damages.

This limited warranty is applicable only in the U.S.A. and Canada, and is extended only to the original user/purchaser of this product. Customers outside the U.S.A. and Canada should contact their local distributor for export warranty policies. PowerBoss is not responsible for costs or repairs performed by persons other than those specifically authorized by PowerBoss. This warranty does not apply to damage from transportation, alterations by unauthorized persons, misuse or abuse of the equipment, use of non-compatible chemicals, or damage to property, or loss of income due to malfunctions of the product. If a difficulty develops with this machine, you should contact the dealer from whom it was purchased.

This warranty gives you specific legal rights, and you may have other rights, which vary from state to state. Some states do not allow the exclusion or limitation of special, incidental or consequential damages, or limitations on how long an implied warranty lasts, so the above exclusions and limitations may not apply to you.

	Travel*	Labor	Parts	Engine	Extended Warranty	Costs
<b>Walk behinds</b>						
Battery sweepers	Ninety days	One year	One year	N/A	2 years Parts + Labor (or 2000 Hours)	2%
IC sweepers	Ninety days	One year	One year	Through manufacturer	2 years Parts + Labor (or 2000 Hours)	2%
Battery scrubbers	Ninety days	Two years	Three years	N/A	3 Years Parts + Labor (or 3000 Hours)	2%
<b>Riders</b>						
Battery scrubbers	Ninety days	Two years	Three years/2000 hrs	N/A	3 Years Parts + Labor (or 3000 Hours)	2%
IC sweeper/scrubbers	Ninety days	Six months	Two years/2000 hrs	Two years/3000 hrs**	2 years Parts + Labor (or 2000 Hours)	3%
IC sweepers	Ninety days	Six months	Four years/3000 hrs	Five years/3000 hrs**	4 Years Parts + 2 Years Labor (or 4000 Hours)	3%
<b>Exceptions</b>						
Apex series sweeper	Ninety days	One year	One year/1000 hrs	One year/1000 hrs**	2 years Parts + Labor (or 2000 Hours)	3%
6X sweeper	Ninety days	Six months	Two years/2000 hrs	Two years/2000 hours**	2 years Parts + Labor (or 2000 Hours)	3%

**Tank Bladders** Eight years/ no additional labor  
**Polypropylene plastic tanks** Ten years/ no additional labor  
**Batteries** 0-3 months full replacement, 4-12 prorated credit  
**Charges** One-year replacement  
**Replacement parts** Ninety days

\*Two-hour cap

\*\*Through engine manufacture. See section 3 of warranty manual for engine warranty exceptions

\*\*\*Base upon dealer's certification status

**Extended Warranty MUST be signed up within 30 days of delivery to End User (Dealer has 1 Year from Receiving Machine to Sign up extended Warranty)**

**Extended Warranty Cost is based on Invoice Price multiplied by the Percentage listed in the Extended Warranty Column**

All above labor and travel reimbursed at 65 or 75% of the published shop rate.